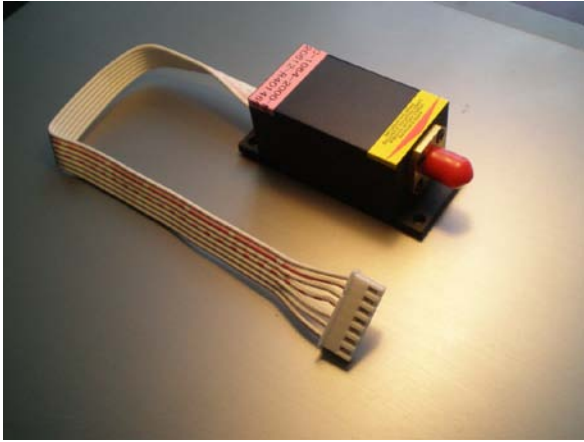
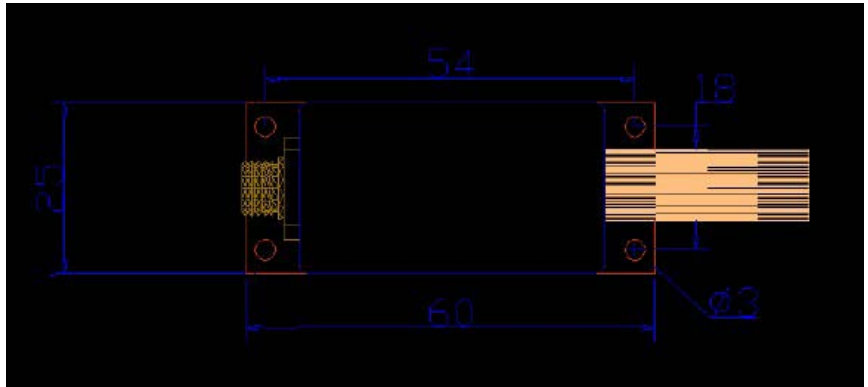
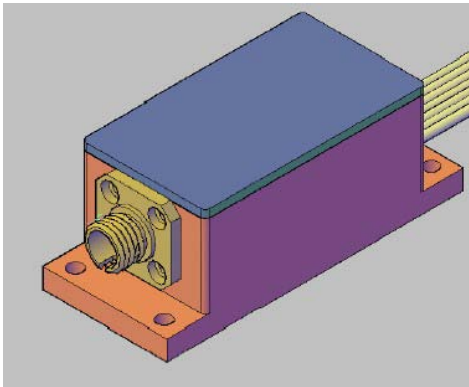


450nm 1W~1.2W Fiber Detachable LD| TEC Cooling Optional| Blue Laser Diode
445nm~450nm Fiber Receptacle Laser Diode|40um 50um 60um 105um MM Fiber| PD Optional
WSLR-445-001-H **Wavespectrum laser inc.** **www.wavespectrum-laser.com**

445nm Fiber Detachable Diode Laser		1.2W/MM Fiber		Wavespectrum Laser, Inc	
PARAMETER	SYMBOL	VALUE	UNIT		
Reverse Voltage	V _r	5.0	V		
Operating Temperature	T _{op}	0 ~ +70	°C		
Storage Temperature	T _{stg}	-40 ~ +85	°C		
Lead soldering temperature (10 sec.)	T _{is}	260	°C		
Features: <ul style="list-style-type: none"> • 445nm • UV MM Fiber • Fiber Detachable • Photodiodes Optional • TEC Cooling Optional 					
Applications: <ul style="list-style-type: none"> • Medical laser treatment • Printing • Others 					
Specifications	WSLR-445-001-H				
	Min	Type	Max		
Center Wavelength@25°C	440nm	445nm	460nm		
Spectral Width (FWHM)	----	3.0nm	----		
Output Power(After Fiber End)	1W	1.2W	----		
Used Fiber Type	MMFiber				
	60um (25um 50um ,105um, 200um,400um,800um Optional)				
Recommended Operating Temperature	25°C				
Detachable Fiber Connector	FC or SMA905				
Threshold Current (Typ.)	----	250mA	500mA		
Operating Current (Typ.)	----	1.4A	1.6A		
Operating Voltage	----	5.5V	6.5V		
Package Style	HHL				
Built-in Photodiode	Optional				
Built-in TE Cooling	Optional				



Detachable Package View



Electrically shorten LD module and store in non-extreme conditions.
Suggest using the constant current power supply.

